

clinton

e l e c t r o n i c s



PROFESSIONAL
**PENDANT MOUNT
SOLUTIONS**

CP
Series



CE-CP9W, CE-CPUPM

MAX
15 lbs

CM
Series



CE-CM-LX-12

MAX
60 lbs

CX
Series



CE-CX7W, CE-CXDMW

MAX
120 lbs



Pendant Mounting Simplified.

A complete telescoping pole system for faster, cleaner installs.

Thousands of installers trust our patented telescoping poles to quickly mount cameras, monitors, wireless access points, RFID readers, and more – from virtually any open-ceiling height.

What started as an alternative to conduit has evolved into a complete telescoping pendant-mount ecosystem. From the versatile **CP Series** to the display-focused **CM Series** and the new heavy-duty **CX Series**, our telescoping poles are engineered to make every install faster, easier, and more efficient.

Whether you're installing your first telescoping mount or your thousandth, the following pages showcase our full range of poles and accessories – built to handle everything from compact devices to multi-monitor setups with confidence.



One mount. Endless possibilities.

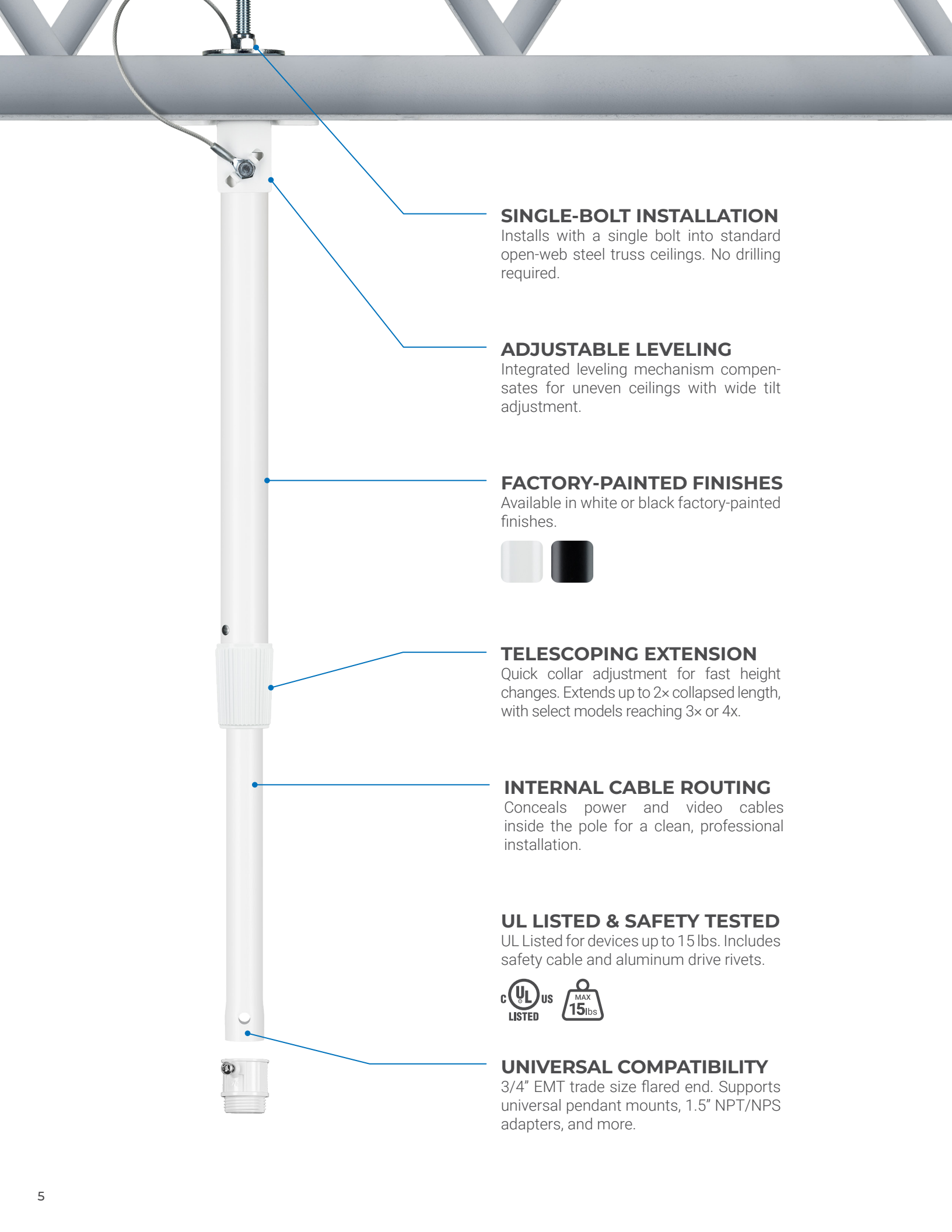
What started as a camera mount has evolved into a universal pendant-mount solution. The CP Series supports a wide range of ceiling-mounted devices weighing up to 15 lbs — including wireless access points, sensors, RFID readers, and more — delivering a clean, secure pendant-mount solution.

Installation is fast and simple thanks to our single-bolt mounting system. With seven different length options, there's a telescoping pole to fit virtually any ceiling height. A quick twist of the collar lets installers adjust the height in seconds, with each model extending to at least twice its collapsed length — and select models reaching 3x or even 4x their original size.

Every CP Series pole also features a 3/4" EMT flared end, ensuring seamless compatibility with standard 3/4" conduit fittings for maximum installation flexibility.







SINGLE-BOLT INSTALLATION

Installs with a single bolt into standard open-web steel truss ceilings. No drilling required.

ADJUSTABLE LEVELING

Integrated leveling mechanism compensates for uneven ceilings with wide tilt adjustment.

FACTORY-PAINTED FINISHES

Available in white or black factory-painted finishes.



TELESCOPING EXTENSION

Quick collar adjustment for fast height changes. Extends up to 2x collapsed length, with select models reaching 3x or 4x.

INTERNAL CABLE ROUTING

Conceals power and video cables inside the pole for a clean, professional installation.

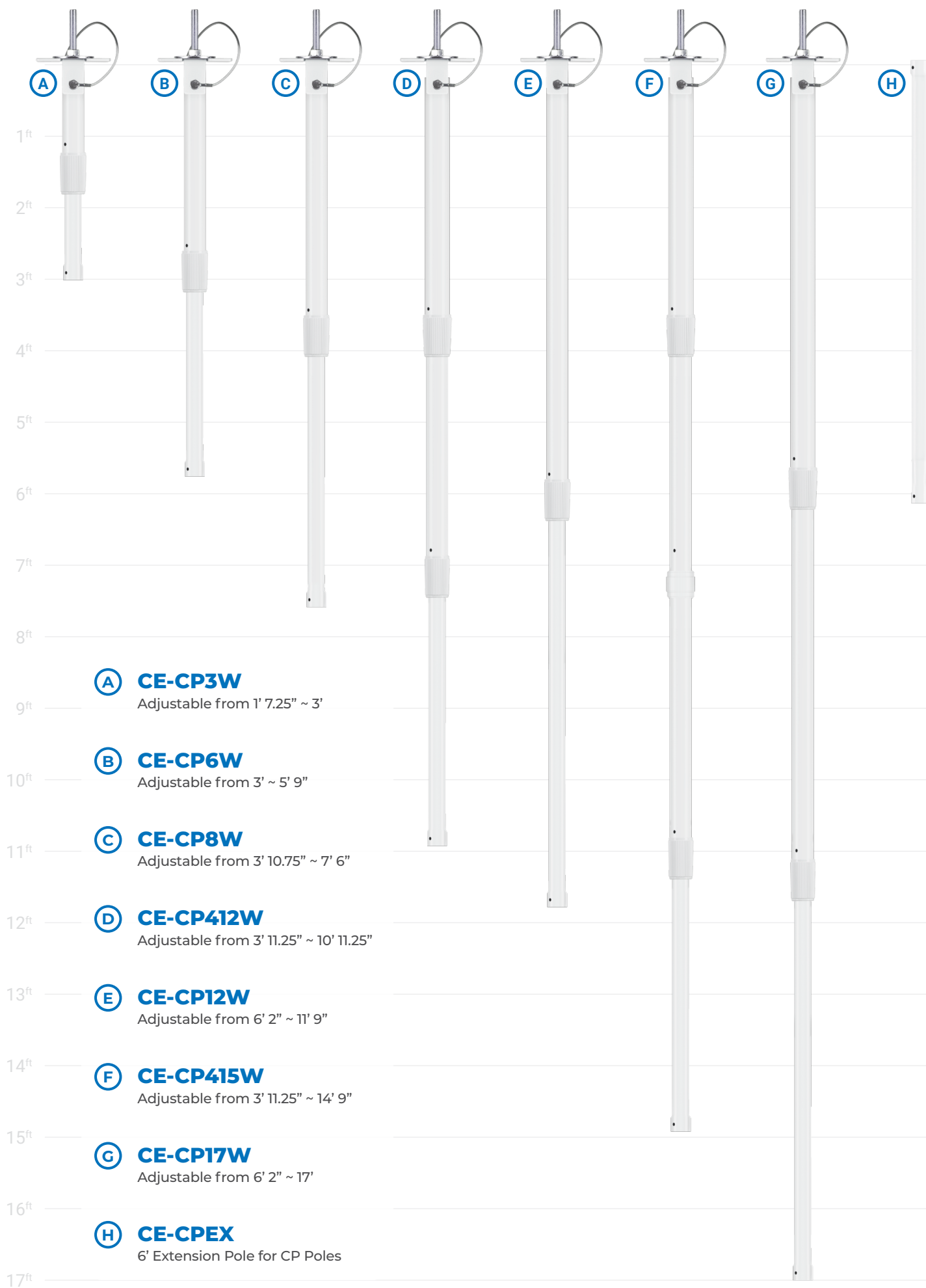
UL LISTED & SAFETY TESTED

UL Listed for devices up to 15 lbs. Includes safety cable and aluminum drive rivets.



UNIVERSAL COMPATIBILITY

3/4" EMT trade size flared end. Supports universal pendant mounts, 1.5" NPT/NPS adapters, and more.





CE-CPUPR

Metal Universal Pendant Mounts

Fast, Flexible Installation

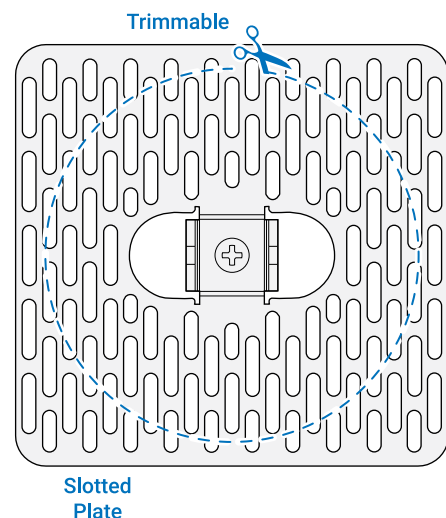
Our metal universal pendant mounts provide fast, flexible installation for a wide range of devices, with multiple designs to fit nearly any mounting hole pattern.

Multiple Designs to Fit Your Needs

From the adjustable **CE-CPFM** with four rotating, sliding arms to the **CE-CPUP** and **CE-CPUPR** slotted steel plate models, these mounts make it easy to attach dome cameras and other devices to telescoping camera poles.

Easy to Install & Customize

Simply secure your device using standard screws and nuts (not included). For smaller devices, the slotted plate models can be trimmed with sheet-metal snips.





CE-CPFM

UNIVERSAL FLEXIBLE PENDANT MOUNT

- Supports cameras and devices with mounting hole patterns from 3" to 5.25" in diameter
- Four adjustable arms rotate and slide in/out to align with nearly any mounting pattern
- Tilts up to 90°
- Compatible with all Clinton CP Series Telescoping Poles

COLORS



CE-CPUPR

UNIVERSAL ROUND PENDANT MOUNT PLATE

- 4.45" diameter slotted steel plate supports a wide range of dome cameras and other devices
- Plate can be trimmed to size using sheet metal snips
- Center opening allows cable pass-through
- Includes removable U-bracket and mounting hardware
- Can mount directly to 3/4" EMT conduit using threaded conduit adapter
- Tilts up to 100°
- Compatible with all Clinton CP Series Telescoping Poles

COLORS



CE-CPUP

UNIVERSAL SQUARE PENDANT MOUNT PLATE

- 5.66" x 5.51" slotted steel plate supports a wide range of cameras, wireless access points, and other devices
- Plate can be trimmed to size using sheet metal snips
- Includes U-bracket and mounting hardware
- Tilts up to 100°
- Compatible with all Clinton CP Series Telescoping Poles

COLORS





CE-CPUPM

Molded Universal Pendant Mounts

Fast, Flexible Installation

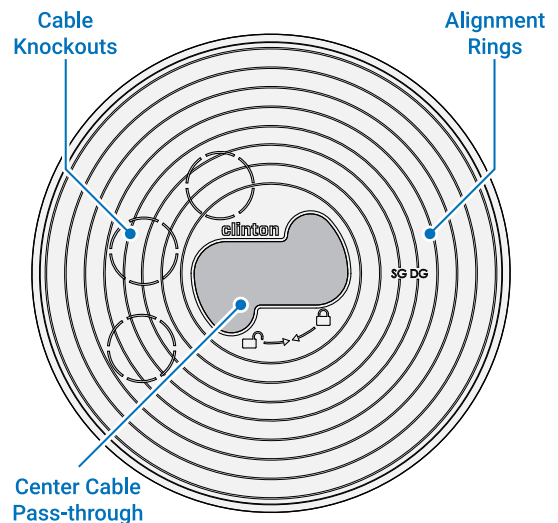
Our molded universal pendant mounts deliver fast, flexible installation for a wide range of devices. Made from rugged ABS and polycarbonate, they're built to last with a clean, streamlined look.

Self-Drilling Screws. No Guesswork.

Each model features our self-drilling mounting plate design. Simply drive the screws directly into the plate — no pre-drilling, no measuring, and no matching hole patterns.

Clean Installs, Professional Results

Built-in cable routing keeps installs clean and professional. Each mount includes a 3/4" EMT to 1.5" NPS adapter for compatibility with CP and CX Series poles.





CE-CPUPM

UNIVERSAL 5" PENDANT MOUNT PLATE

- Supports mounting hole patterns up to 4-3/4" in diameter
- Quick installation using self-drilling screws
- Cable routing through center hole or side knockouts for offset cable exits
- Includes multiple sizes of self-drilling screws
- Includes 3/4" EMT to 1-1/2" NPS female adapter and mounting hardware
- Constructed from rugged, lightweight ABS and polycarbonate
- Compatible with Clinton CP Series Telescoping Poles or standard 1-1/2" NPS female pipe fittings

COLORS



CE-CPUPM-6

UNIVERSAL 6" PENDANT MOUNT PLATE

- Supports mounting hole patterns up to 5-3/4" in diameter
- Quick installation using self-drilling screws
- Cable routing through center hole or side knockouts for offset cable exits
- Includes multiple sizes of self-drilling screws
- Includes 3/4" EMT to 1-1/2" NPS female adapter and mounting hardware
- Constructed from rugged, lightweight ABS and polycarbonate
- Compatible with Clinton CP Series Telescoping Poles or standard 1-1/2" NPS female pipe fittings

COLORS



CE-CPUPDM

UNIVERSAL DUAL PENDANT MOUNT PLATE

- Supports mounting hole patterns up to 5-3/4" in diameter
- Quick installation using self-drilling screws
- Cable routing through center hole or side knockouts for offset cable exits
- Includes multiple sizes of self-drilling screws
- Includes 3/4" EMT to 1-1/2" NPS female adapter and mounting hardware
- Constructed from rugged, lightweight ABS and polycarbonate
- Compatible with Clinton CP Series Telescoping Poles or standard 1-1/2" NPS female pipe fittings

COLORS





Swivel Mounts

Impact Protection Where It Matters

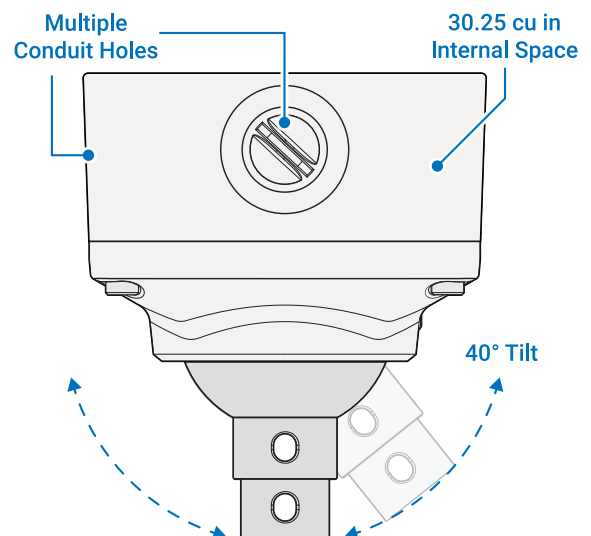
Swivel mounts add an extra layer of protection by allowing CP Series poles to swing safely out of the way if struck. Instead of absorbing the full impact, the pole pivots and returns to position — helping reduce damage to the mount and device.

Built for High-Traffic Environments

Ideal for retail, warehouse, and industrial spaces, swivel mounts help prevent costly repairs where carts, ladders, or equipment may contact the pole.

Three Designs. One Smart Solution.

Choose from the **CE-CPLR**, **CE-CPSM**, or **CE-CPUJB**. The CPLR and CPSM fit 2-section poles, while the CPUJB works with all CP Series models, including 3-section poles.





CE-CPLR

SWIVEL COUPLER

- Allows the CP Series pole to swivel and return to its original position if struck
- Swivels up to 90° in multiple directions
- Installs between the top mounting head and the pole
- Compatible with 2-section 3ft, 6ft, 8ft, and 12ft Clinton CP Series Telescoping Poles

COLORS



CE-CPSM

SWIVEL MOUNT

- Allows the CP Series pole to swivel if struck
- Swivels up to 45° in multiple directions
- Includes mounting hardware and safety cable
- Compatible with 2-section 3ft, 6ft, 8ft, and 12ft Clinton CP Series Telescoping Poles

COLORS



CE-CPUJB

SWIVEL MOUNT JUNCTION BOX

- Allows the CP Series pole to swivel if struck
- Swivels up to 40° in multiple directions
- Four threaded 3/4" EMT conduit openings
- Constructed from rugged diecast aluminum
- Provides 30.25 cubic inches of internal space for cable management
- Compatible with all Clinton CP Series Telescoping Poles

COLORS





CE-CPPA-P

1.5" NPT & NPS Mounts

Industry-Standard Threaded Mounting

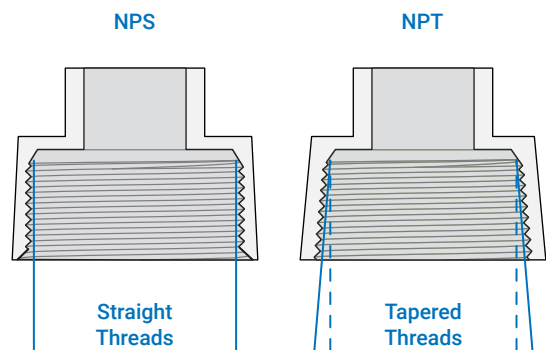
Our 1.5" NPT and NPS adapters make it easy to integrate threaded mounts into pendant installations. Designed to convert 3/4" EMT to 1.5" NPT or NPS, they provide a clean, secure connection for a wide range of devices and accessories.

Ideal for New & Retrofit Installs

Each adapter installs directly onto Clinton CP Series Telescoping Poles and includes mounting hardware for quick, hassle-free setup.

Multiple Options for Any Application

Choose from female NPT (**CE-CPPA**), female NPS (**CE-CPPA-NPS**), or male NPS (**CE-CPMPA**) models. Metal and polycarbonate versions support both standard and heavy-duty installations.





CE-CPPA

3/4" EMT TO 1-1/2" NPT FEMALE ADAPTER

- 1-1/2" NPT female threaded adapter
- Includes mounting hardware
- Compatible with all Clinton CP Series Telescoping Poles

COLORS



VARIATIONS

CE-CPPA : Aluminum

CE-CPPA-P : Polycarbonate



CE-CPPA-NPS

3/4" EMT TO 1-1/2" NPS FEMALE ADAPTER

- 1-1/2" NPS female threaded adapter
- Includes mounting hardware
- Compatible with all Clinton CP Series Telescoping Poles

COLORS



CE-CPMPA

3/4" EMT TO 1-1/2" NPS MALE ADAPTER

- 1-1/2" NPS male threaded adapter
- Includes mounting hardware
- Compatible with all Clinton CP Series Telescoping Poles

COLORS



VARIATIONS

CE-CPMPA : Aluminum

CE-CPMPA-P : Polycarbonate



CE-CPBCM

BEAM CLAMP MOUNT

- Supports installation of a CP Series pole to ceiling support beams
- Bi-directional leveling mechanism for precise alignment
- Compatible with all Clinton CP Series Telescoping Poles

COLORS



CE-CPBA

1/4"-20 BOX CAMERA ADAPTER

- Supports box cameras and other devices with 1/4"-20 mounting threads
- Adjustable swivel head for positioning
- Includes mounting hardware
- Compatible with all Clinton CP Series Telescoping Poles

COLORS



CE-CPU

U-BRACKET MOUNT

- Features an M8-1.25 or 1/4"-20 threaded hole for device mounting
- Includes mounting hardware
- Compatible with all Clinton CP Series Telescoping Poles

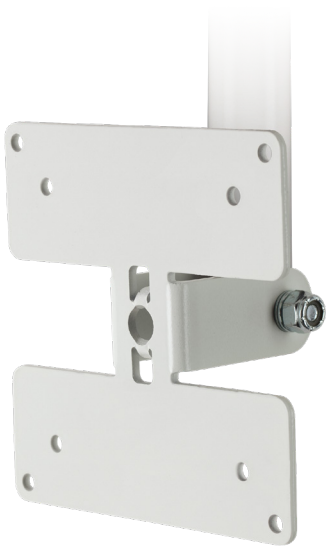
COLORS



VARIATIONS

CE-CPU : M8-1.25 Threaded Hole

CE-CP-U-1420 : 1/4"-20 Threaded Hole



CE-VCAM

VESA 75/100 BRACKET

- Supports LCD or PVM monitors up to 10 lbs
- VESA 75 and 100 mounting plate
- Adjustable tilt
- Includes mounting hardware and 20' safety cable
- Compatible with all Clinton CP Series Telescoping Poles

COLORS



CE-CP3105

PENDANT MOUNT FOR AXIS FA3105-L

- Supports AXIS FA3105-L sensor unit for pendant mounting
- Includes mounting hardware
- Compatible with all Clinton CP Series Telescoping Poles

COLORS



CE-FA54

IP CAMERA HEAD MODULE ADAPTER BRACKET

- Supports AXIS FA54 and Hanwha PNM-9000QB head units for pendant mounting
- Adjustable plates support AXIS FA54, Hanwha PNM-9000QB, and VESA 100 devices
- Tilts up to 90°
- Compatible with all Clinton CP Series Telescoping Poles

COLORS



Built to Adapt

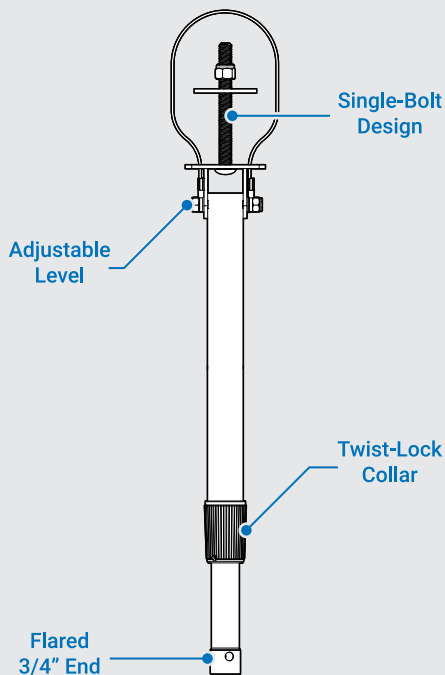
Add-On Accessories For Any Application

Our standard CP Series telescoping poles are designed to mount effortlessly to a wide range of open-ceiling environments right out of the box.

For applications that need a more specialized solution, we offer a wide range of add-on accessories to get the job done. These accessories are designed to expand the versatility of the CP Series, offering custom mounting options and enhanced functionality. Our goal is to provide flexible solutions that meet even the most unique installation needs.

To the right, you'll find examples that highlight the flexibility of these accessories and show how they adapt to real-world applications.

STANDARD POLE CONFIGURATION



APPLICATION

Accidental impacts pose a significant challenge for pendant-mounted AI-enabled cameras in this warehouse. They require precise alignment and must return to their original position if disturbed. These cameras do not include a manufacturer-provided pendant mount.

ADD-ON SOLUTION

(A) CE-CPLR
SWIVEL COUPLER

(B) CE-CPFM
UNIVERSAL FLEXIBLE PENDANT MOUNT



APPLICATION

For this retail application, wireless access points must be installed on an exposed structural ceiling with steel I-beams instead of an open web truss system. These devices also do not include a manufacturer-provided pendant mount.

ADD-ON SOLUTION

C **CE-CPBCM**
BEAM CLAMP MOUNT

D **CE-CPUPR**
UNIVERSAL ROUND PENDANT MOUNT PLATE



APPLICATION

In this distribution center, all cable and wiring must be routed through conduit. The storage aisles require two-way coverage while minimizing the number of poles needed for proper device placement.

ADD-ON SOLUTION

E **CE-CPUJB**
SWIVEL MOUNT JUNCTION BOX

F **CE-CPUPDM**
UNIVERSAL DUAL PENDANT MOUNT PLATE



Monitor Mounting, Done Right.

Looking for a pendant-mount solution for LCDs, PVMs, or other VESA-mounted devices? Look no further than the CM Series. Designed to support displays & devices up to 60 lbs, it delivers a clean, secure, professional installation — ideal for open-ceiling environments.

Installation is quick and easy with our single-bolt design and two-piece EZ Hang VESA plate. Simply attach the plate to the monitor, then slide it into the receiver bracket for secure mounting.

With 0°–40° tilt adjustment and internal cable routing, the CM Series makes it easy to level displays and maintain a clean, finished look. The CM Series supports VESA 75 & 100 patterns for broad compatibility with a wide range of monitors.



CE-CM-LX-9, CE-UCT2X2



CE-CM-SX-3



CE-CM-SX-6



SINGLE-BOLT INSTALLATION

Installs with a single bolt into standard open-web steel truss ceilings. No drilling required.

ADJUSTABLE LEVELING

Four integrated leveling pads allow precise alignment, even when the truss is not parallel to the floor.

FACTORY-PAINTED FINISHES

Available in white or black factory-painted finishes.



TELESCOPING EXTENSION

Quick collar adjustment for fast height changes. Extends up to 2× collapsed length, with select models reaching 3×.

INTERNAL CABLE ROUTING

Conceals power and video cables inside the pole for a clean, professional installation.

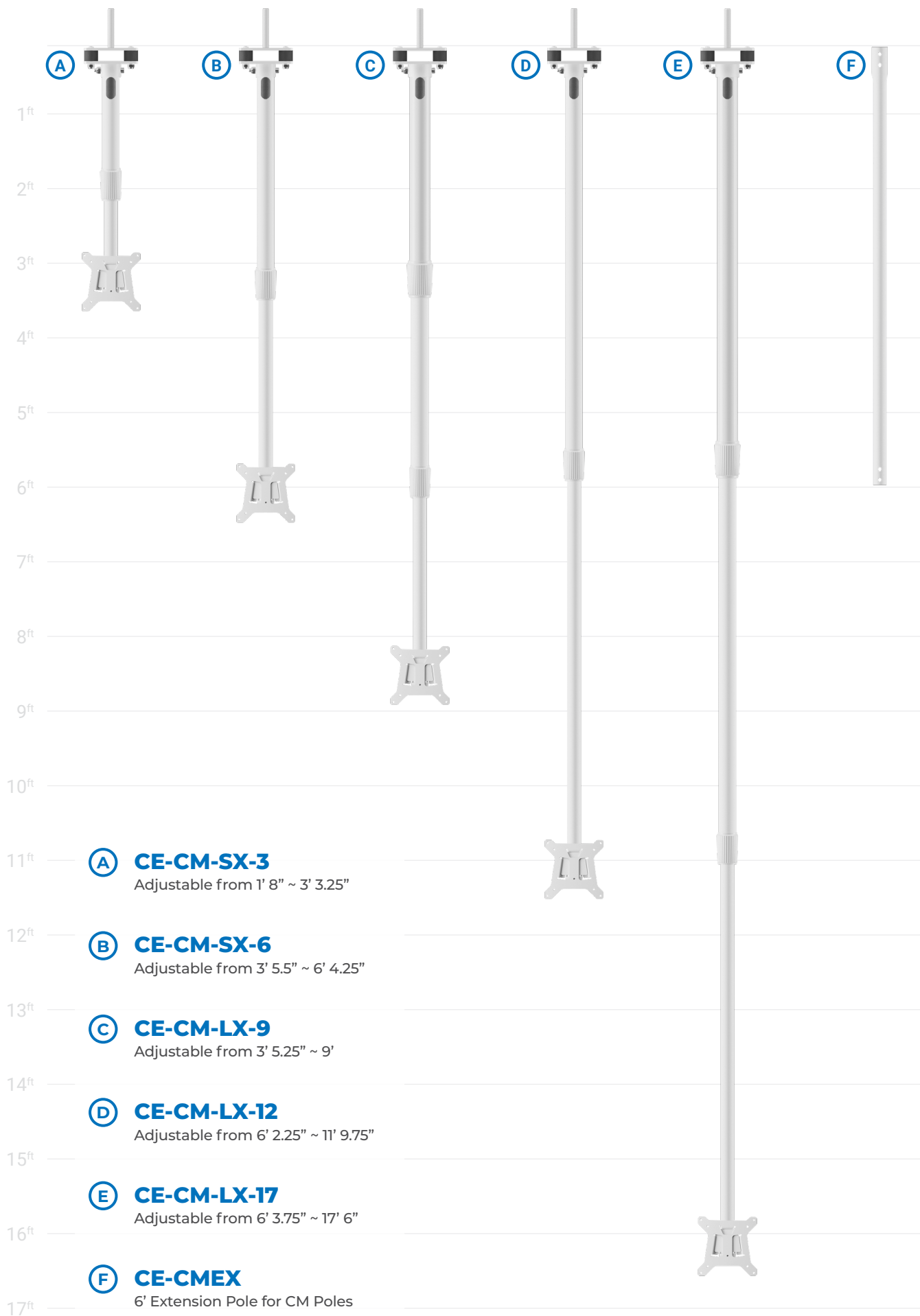
UL LISTED & SAFETY TESTED

UL Listed for devices up to 60 lbs. Includes safety cable and aluminum drive rivets.



EZ-HANG VESA PLATE

Removable VESA 75mm & 100mm bracket allows the monitor to be mounted separately and quickly hung onto the pole.





Mount Bigger. Mount Stronger.

The CX Series is our heavy-duty pendant-mount solution, engineered to support devices up to 120 lbs. Designed for demanding applications, it delivers exceptional strength, stability, and reliability – even with the heaviest equipment.

A locking single-bolt collar provides superior holding power, ensuring secure positioning for large monitors, cameras, and RFID readers. The CX Series is available with either a 1.5" NPS male end or an EZ Hang VESA plate supporting 100 × 100, 100 × 200, and 200 × 200 patterns, offering broad compatibility with larger displays.

The 1.5" NPS design allows installers to add 4-foot extension poles for higher ceilings and custom mounting heights. For multi-display installations, the CX Series also supports dual and quad-monitor configurations with optional add-on brackets, making it a powerful solution for advanced display setups.

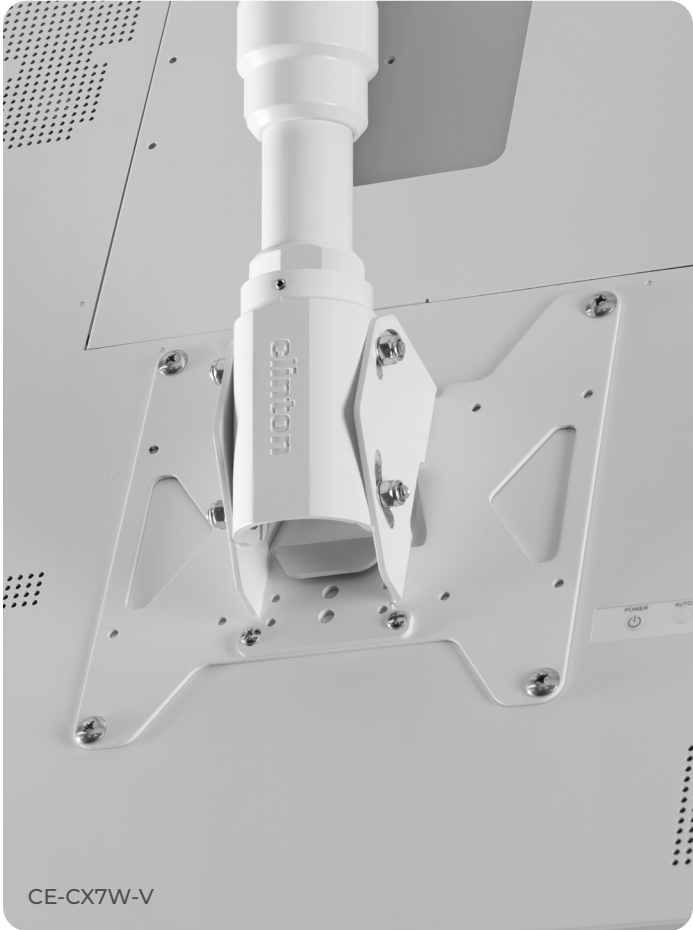




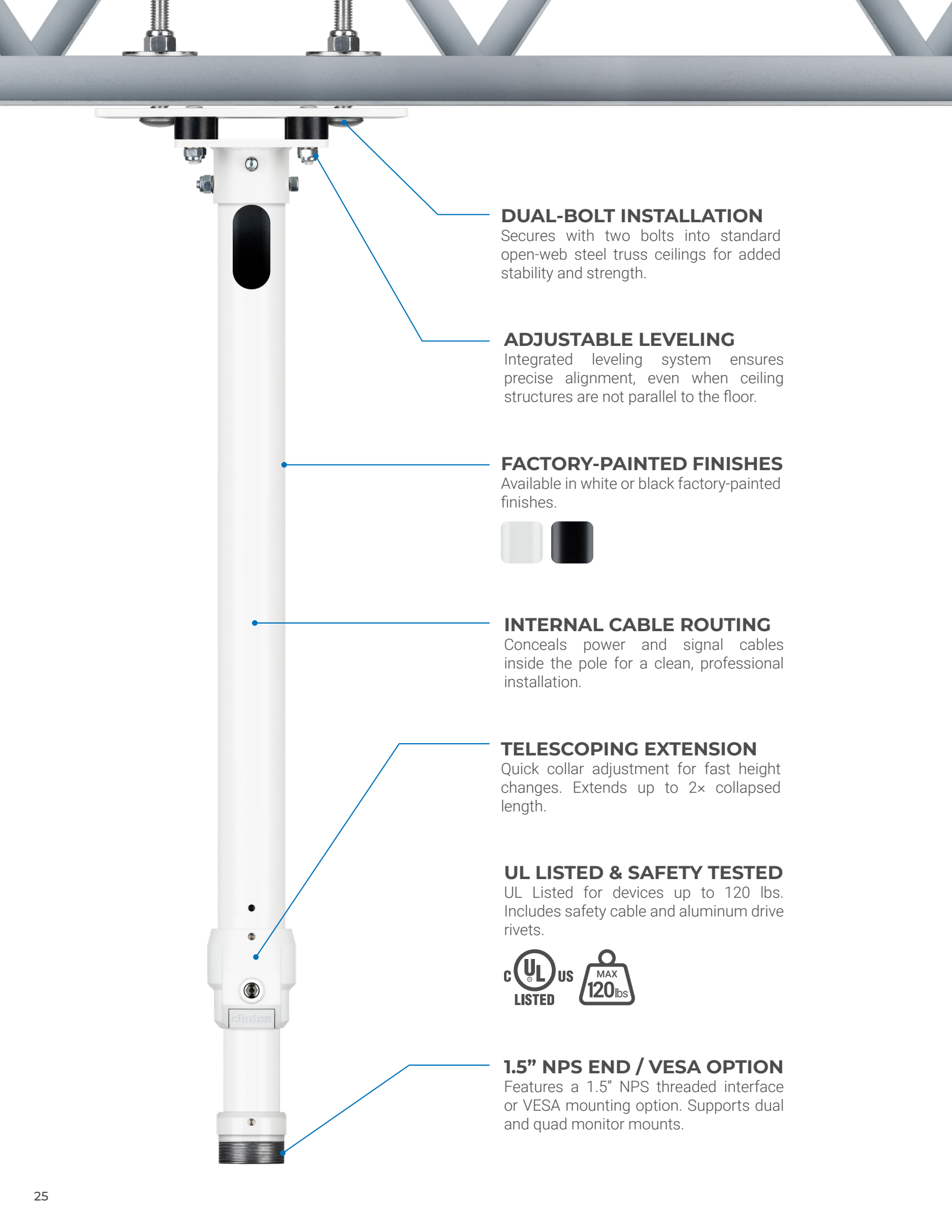
CE-CX7W, CE-CXQMW



CE-CX7W



CE-CX7W-V



DUAL-BOLT INSTALLATION

Secures with two bolts into standard open-web steel truss ceilings for added stability and strength.

ADJUSTABLE LEVELING

Integrated leveling system ensures precise alignment, even when ceiling structures are not parallel to the floor.

FACTORY-PAINTED FINISHES

Available in white or black factory-painted finishes.



INTERNAL CABLE ROUTING

Conceals power and signal cables inside the pole for a clean, professional installation.

TELESCOPING EXTENSION

Quick collar adjustment for fast height changes. Extends up to 2x collapsed length.

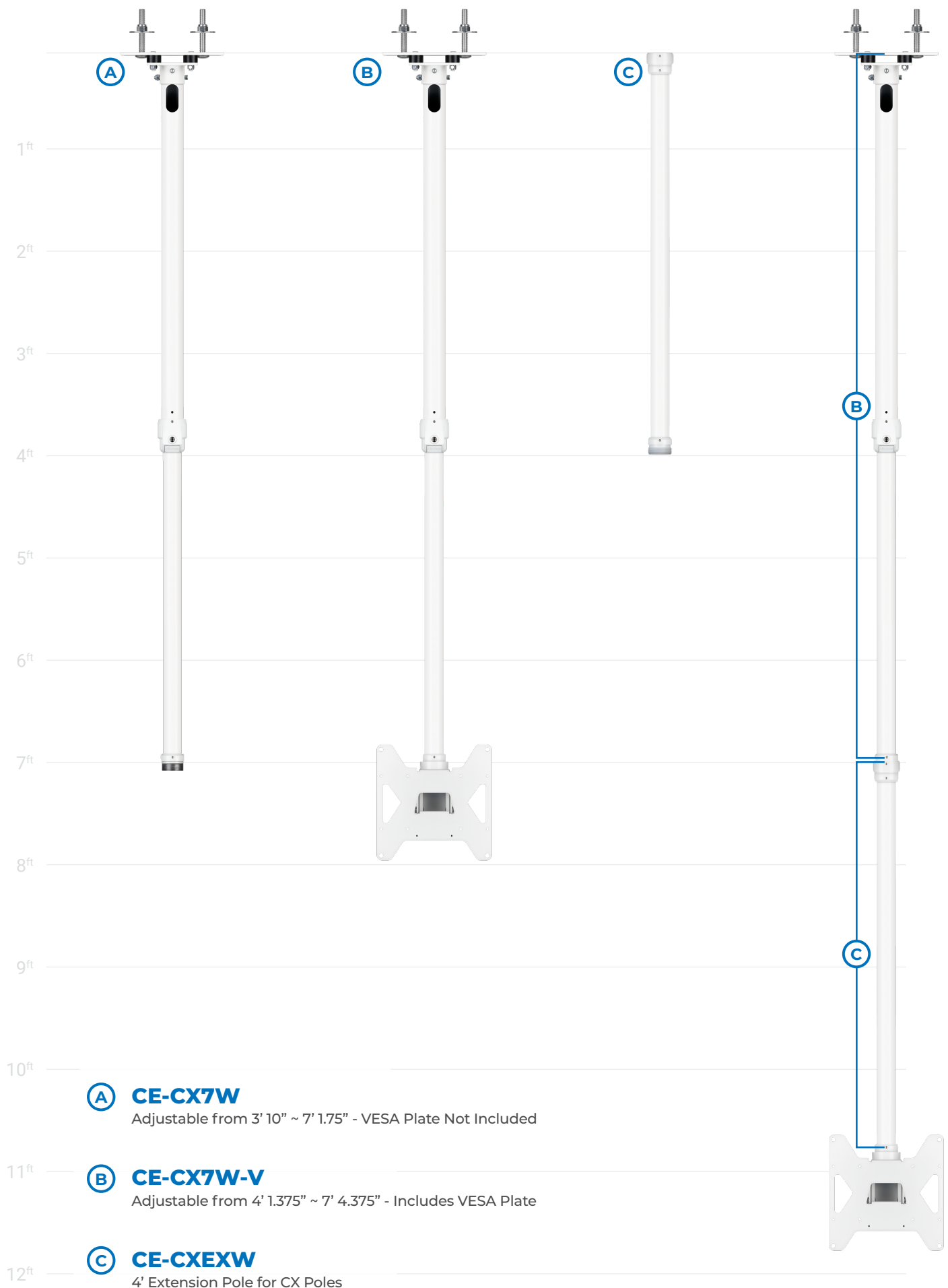
UL LISTED & SAFETY TESTED

UL Listed for devices up to 120 lbs. Includes safety cable and aluminum drive rivets.



1.5" NPS END / VESA OPTION

Features a 1.5" NPS threaded interface or VESA mounting option. Supports dual and quad monitor mounts.





CE-CX7W, CE-CXDMW

Multi-Monitor Mounts

Streamlined Multi-Monitor Setup

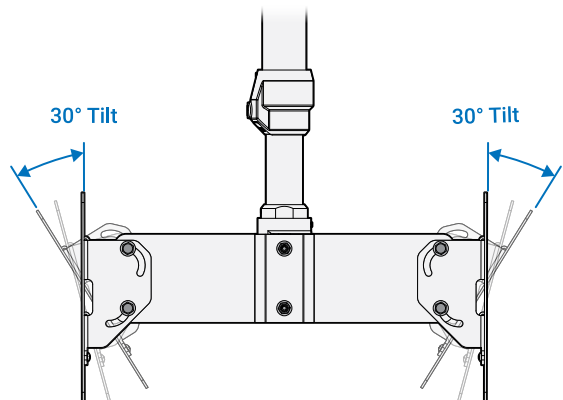
Designed for CM and CX Series poles, these add-on brackets let you mount two or four monitors (quad configuration on CX Series only) from a single pole — ideal for retail and security environments.

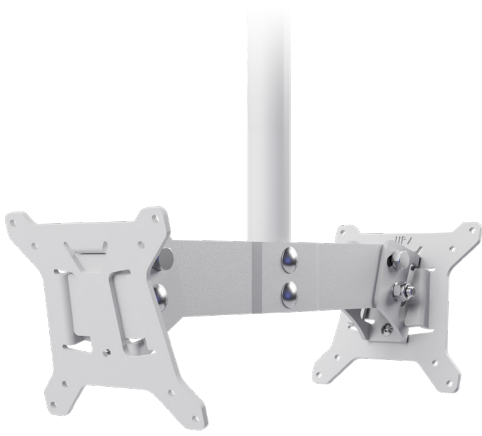
Built for Retail Environments

Perfect for in-aisle coverage, self-checkout areas, and high-theft zones, these mounts keep critical views front and center. Multiple monitors increase visibility where it matters most.

Professional Mounting You Can Trust

Engineered for strength and stability, these brackets keep monitors secure in high-traffic areas. EZ-Hang removable VESA brackets speed up installation, while adjustable tilt ensures the ideal viewing angle.





CE-CMDH2

CM SERIES DUAL HEAD MONITOR MOUNT

- Supports two monitors mounted back-to-back from a CM Series Telescoping Pole
- Supports two LCD or PVM monitors up to 28.6 lbs each
- 10" long bracket arms
- Tilts up to 40°
- Includes mounting hardware
- Includes one VESA 75/100 mounting plate and utilizes the plate included with the CM Series Telescoping Pole
- Compatible with Clinton CM Series Telescoping Poles

COLORS



CE-CXDMW

CX SERIES DUAL HEAD MONITOR MOUNT

- Supports two monitors mounted back-to-back from a CX Series Telescoping Pole
- Supports LCD or PVM monitors up to 56 lbs each
- 15" long bracket arms
- Tilts up to 30°
- Includes mounting hardware
- Includes two VESA 100, 100x200, and 200x200 mounting plates
- Compatible with Clinton CX Series Telescoping Poles

COLORS



CE-CXQMW

CX SERIES QUAD HEAD MONITOR MOUNT

- Supports four monitors mounted back-to-back from a CX Series Telescoping Pole
- Supports LCD or PVM monitors up to 27 lbs each (120 lbs maximum combined weight including monitors and brackets)
- 15.875" long bracket arms
- Tilts up to 40°
- Includes mounting hardware
- Includes four VESA 75 and 100 mounting plates
- Compatible with Clinton CX Series Telescoping Poles

COLORS





CE-UCT2X2, CE-CM-SX-3

Universal Ceiling Tile Mounts

One Tile. Any Pole.

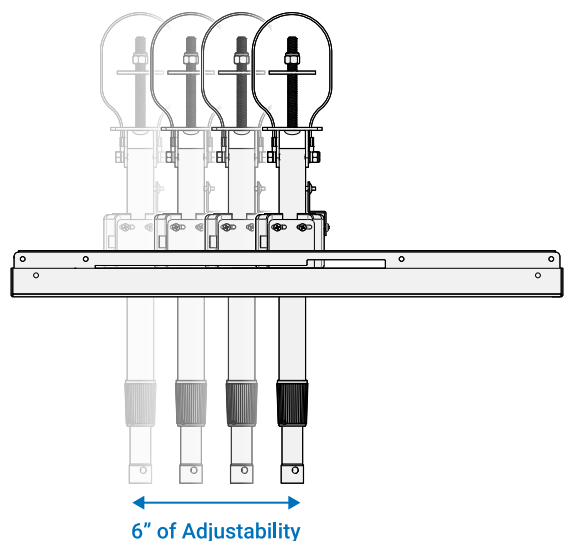
This universal tile solution simplifies ordering and installation, giving installers the freedom to choose the right pole for every job. Compatible with CP, CM, and CX Series poles, the UCT tile supports monitors, cameras, and other devices from a standard 2' ceiling grid.

Two Sizes. Endless Flexibility.

Choose the 2' x 2' CE-UCT2x2 or the 9" x 2' CE-UCT1x2 half tile. Both feature an adjustable pole slot with up to 6 inches of off-center positioning.

Dial in the Perfect Position

The CE-UCT1x2 slides within the ceiling grid for near-unlimited placement flexibility — ideal for tight spaces, unique tile sizes, and near-wall applications.



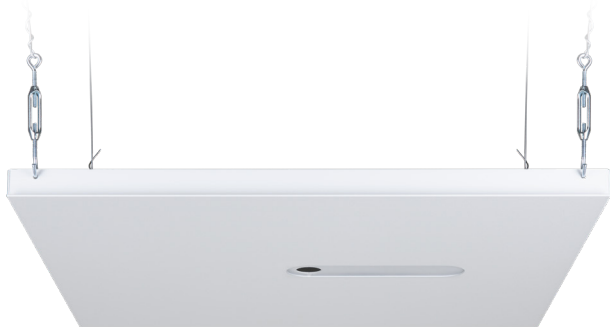


CE-UCTIX2

UNIVERSAL 9" X 2' CEILING TILE MOUNT

- Supports installation of a Telescoping Pole in suspended T-rail ceilings
- Pole position adjustable up to 6" from the center of the tile
- Installs into suspended T-rail ceiling grid systems
- Powder-coated steel 9" x 2' ceiling tile plate
- Includes safety wire, safety clips, turnbuckles, and mounting hardware
- Maximum combined weight of telescoping pole and equipment: 75 lbs
- UL Listed
- Compatible with all Clinton CP, CM, and CX Series Telescoping Poles

COLORS



CE-UCT2X2

UNIVERSAL 2' X 2' CEILING TILE MOUNT

- Supports installation of a Telescoping Pole in suspended T-rail ceilings
- Pole position adjustable up to 6" from the center of the tile
- Installs into suspended T-rail ceiling grid systems
- Powder-coated steel 2' x 2' ceiling tile plate
- Includes safety wire, safety clips, turnbuckles, and mounting hardware
- Maximum combined weight of telescoping pole and equipment: 75 lbs
- UL Listed
- Compatible with all Clinton CP, CM, and CX Series Telescoping Poles

COLORS



clintonelectronics

At Clinton Electronics, we combine over six decades of experience with a commitment to quality, customer service, and innovation. As a family-owned business, we take pride in offering personalized support, a vast selection of products, and a dedication to building long-lasting relationships with our partners. Our knowledgeable team, extensive resources, and focus on reliability set us apart, ensuring you get the right solutions when you need them.

Family Owned

Since 1963, Clinton Electronics has built a legacy of trust, quality, and customer commitment. Our family values, passed down through generations, ensure every product and service reflects our dedication and care.

Dedicated Sales Team

Our inside sales team offers personalized support to meet your needs. From system design and custom quotes to product recommendations, our experts are here to provide the right solutions for you.

3-Year Warranty

We stand behind the quality of every product we sell with a comprehensive three-year warranty, including advance replacement during the first year to ensure minimal downtime.

Extensive Selection

No matter the application or job size, we offer a wide range of products to meet your needs. With a vast inventory on hand, we ensure you have access to the right products, exactly when you need them.

Free Technical Support

Our US-based technical support team is ready to assist with installation questions, troubleshooting, or warranty requests. For help, visit support.clintonelectronics.com or call 800-549-6393 (Monday-Friday).

Protected Pricing

Clinton Electronics does not sell directly to end-users or publicly advertise pricing. Our protected dealer pricing ensures that only authorized dealers and integrators can access exclusive pricing information.



Scan QR Code



To Learn More